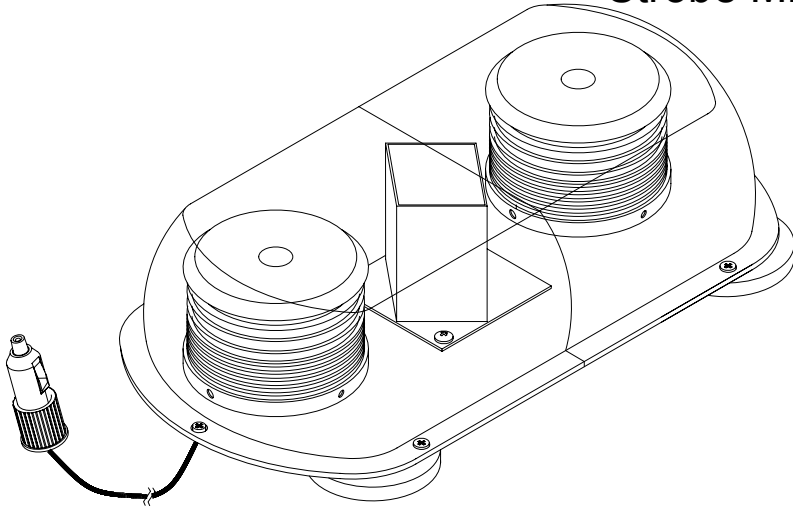




MODEL NO. 23.0360  
Magnetic Mount  
Strobe Mini Bar



**!WARNING!**  
The steel content of vehicle roofs varies considerably and some may not be suitable for mounting warning lights with magnetic bases. It is the sole responsibility of the user to determine if portable warning lights may be safely used on the exterior of their vehicle.

**INSTRUCTIONS:**

Determine mounting location. Be sure mounting surface is clean and free of debris. Route power wire inside vehicle to cigarette lighter or power outlet. Keep in mind air bag deployment zones and other obstacles.

**LIMITED WARRANTY**

Able 2 Products Company warrants each new product (except bulbs, strobe tubes, strobe power supplies and LED Products) to be free from defects in material and workmanship for a period of two years from the date of purchase. During this warranty period, the obligation of Able 2 is limited to repairing or replacing, as Able 2 may elect, any part or parts, which after examination by Able 2 are determined to be defective, when they are delivered pre-paid. This limited warranty does not cover travel expense, the cost of specialized equipment for gaining access to the product, or labor charges for the removal and re-installation of the product.

Able 2 Products Company shall not be liable for incidental or consequential damages, including but not limited to : Loss of use of vehicle, Rental of substitute vehicle, Loss of time, Loss of work, Inconvenience, Transportation expenses, Telephone, Lodging, Loss of revenue, Loss of and /or damage to personal property for or arising out of breach of any express or implied warranty of its products.

Use of lamp or other electrical load of a wattage higher than installed or recommended by the factory, or use of inappropriate or inadequate wiring or circuit protection causes this limited warranty to become void. Able 2 Products Company will in no way be liable for any loss of profits or any indirect or consequential damages arising out of any such defect in material and workmanship whether loss is due to negligence or breach of warranty. This limited warranty does not apply to shipping damage, accident, alteration, tampering, misuse or abuse and unauthorized service.

This limited warranty is expressly in lieu of all other express or implied warranties, including the implied warranty of merchantability and the implied warranty of fitness for a particular purpose, and of all other obligations or liabilities on the part of Able 2 Products Company. There are no warranties, unless expressed in authorized Able 2 literature, which extend beyond the description of the face hereof. No dealer, distributor, employee, or representative of the company is authorized to change this warranty in any way or to grant any other warranty.

**WARRANTIES:**

- All LED Products. . . . . 5 Years
  - T Model & Potted Strobe Power Supplies 2 Years
  - All Other Strobe Power Supplies . . . . . 5 Years
  - All Other Products EXCEPT Bulbs . . . . . 2 Years (under normal use)
  - Strobe Tubes . . . . . 1 Year (under normal use)
- NOTE: Halogen and Incandescent Bulbs are not covered by warranty.

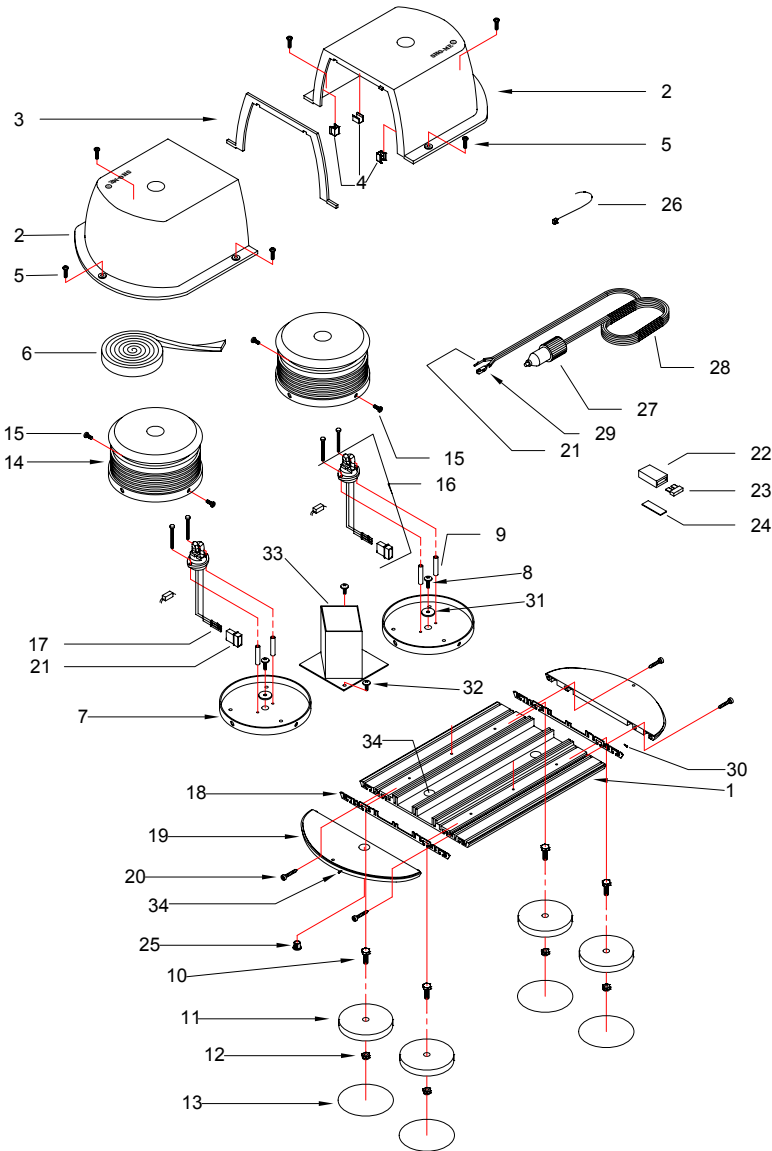
**PRODUCT RETURNS**

If a product must be returned, contact our factory by calling 1-800-641-4098 to obtain a Return Authorization Number (RA) before you ship the product. Write the RA Number clearly on the package and return it to Able 2 Products Company, P.O. Box 543, 804 E. Hwy. 248, Cassville, MO 65625- 0543. A packing slip should be included with all shipments listing the sender's name, address, daytime phone number and description of defect. Your product will be put in first-class operating condition or replaced with a new part, and returned pre-paid.



**PRODUCTS COMPANY 804 East Hwy 248 Cassville, MO 65625**  
**U.S. and Canada Toll Free Numbers Phone: 800-641-4098 FAX: 800-526-1240**  
**E-mail: sales@able2products.com WEB: www.able2products.com**

# PARTS LIST FOR THE 23.0360 360° DEGREE STROBE MINI BAR PORTABLE MOUNT



ITEM	MODEL NO.	DESCRIPTION	QTY
1	90.4986.000	Aluminum Extrusion	1
2	01.3475.000	Main Lens Cover (specify color)	2
3	90.6042.000	Center Lens Gasket	1
4	40.060-010	Spring Clip 3	3
5	90.4019.SS	#8X5/ 8 PH Pan T/S Type B 18-8	6
6	90.6039.000	1/ 8"X3/ 4" Black Foam Adhesive 50"	1
7	90.4029.000	Metal Base-Mounting HRDWR	2
8	90.4720.000	M4 X 10 P/P MT S/S	2
9	90.6960.000	Long Strobe Mounting Plastic Spacer	4
10	90.4490.SS	1/ 4-20X3/ 4 Hex HD Bolt	4
11	90.4250.000	Magnet	4
12	90.4150.000	1/ 4-20 Nylon Insert L/N NTE SS	4
13	90.6140.000	3.200 DIA Vinyl Discs WHT	4
14	22.0104.000	Strobe Dome (specify color)	2
15	90.4002.000	Strobe Lens Screw	4
16	21.7151.003	Strobe Assembly	2
17	90.3512.000	Male Pins	3
18	90.6773.000	Gasket for K2 LightBar	2
19	90.6125.000	Black Plastic Endcaps	2
20	90.4021.SS	#8X1" RD Head Phil S/M	4
21	90.6729.000	Female Nylon Connector	2
22	90.3523.000	Fuse Holder 1	1
23	90.3803.000	Fuse (10 Amp)	1
24	90.6970.000	Black Double Sided Tape (1")	1
25	90.6996.000	Grommet 1	1
26	61.0623.000	Zip Tie 2	2
27	90.3218.000	Cigarette Power Adapter	1
28	43.0162.000	Straight Cord 16 - 2	1
29	90.3524.000	Brass Fuse Terminal	1
30	90.4072.000	1/ 4" #6-32 Phillips	2
31	90.4111.000	Steel Washer .750-.174-.075 SZ	2
32	90.4588.000	10-32X3/ 8 SS Truss PH M/S BL Z	2
33	95.7100.000	Potted Flasher	1
34	90.6027.000	Vent	2



**PRODUCTS COMPANY** 804 East Hwy 248 Cassville, MO 65625  
 U.S. and Canada Toll Free Numbers Phone: 800-641-4098 FAX: 800-526-1240  
 E-mail: sales@able2products.com WEB: www.able2products.com