



**LIGHT STORM®**  
**LED Warning Stick**  
**Model 12.6105**

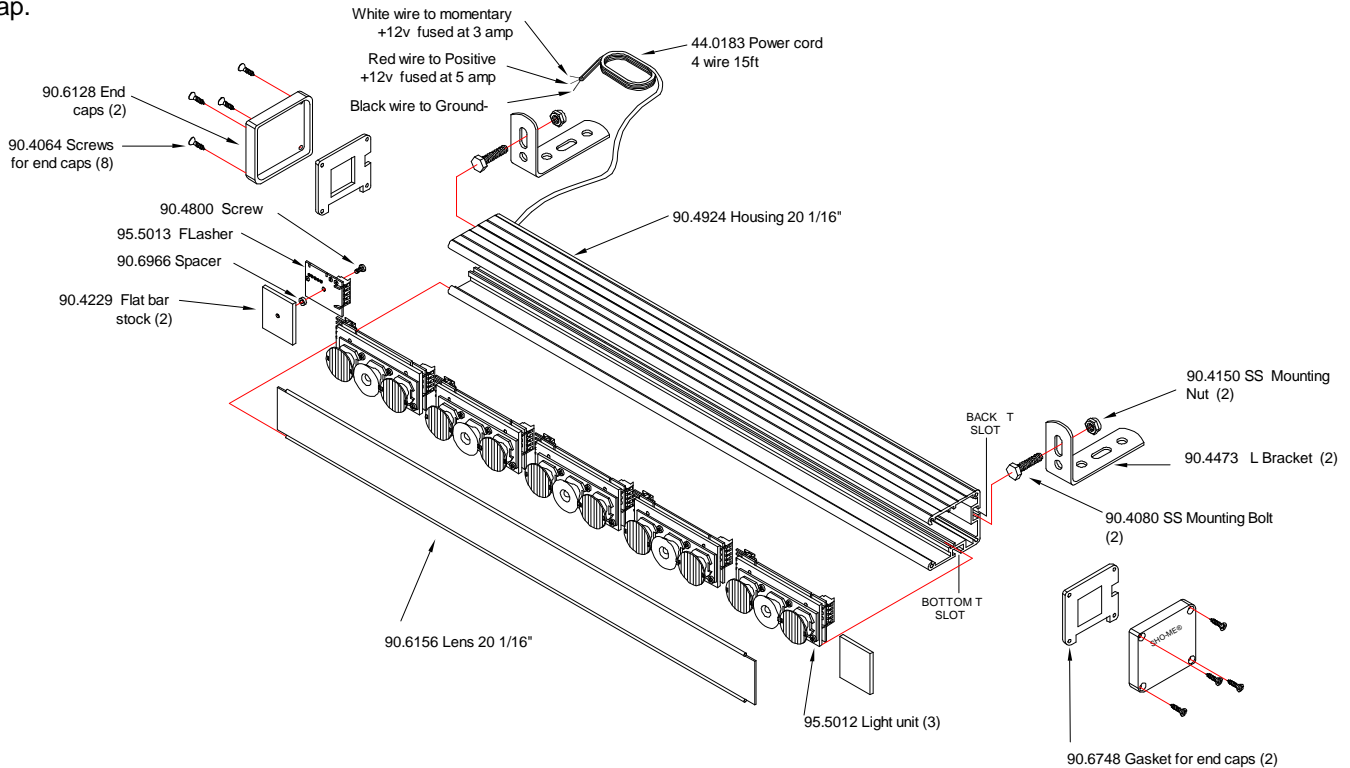
**GENERAL INFORMATION**

The 12.6105 Light has 39 flash patterns. To change flash pattern momentarily apply +12v to white mode wire. Each time +12v is applied, the flash pattern will change. To set Default Random flash pattern apply +12v to white wire for more than 5 seconds. The flash patterns are:

- |                       |                             |                             |                             |
|-----------------------|-----------------------------|-----------------------------|-----------------------------|
| 1. Alt 120 1,2-4,5    | 11. Sim 600                 | 21. Double-On Sim           | 31. Scan Slow               |
| 2. Alt 120 1,3,5-2,4  | 12. Sim 1200                | 22. Quad-On Alt 1,2-4,5     | 32. Scan Slow Double        |
| 3. Alt 240 1,2-4,5    | 13. Double Alt 1,2-4,5      | 23. Quad-On Alt 1,3,5-2,4   | 33. Scan Fast               |
| 4. Alt 240 1,3,5-2,4  | 14. Double Alt 1,3,5-2,4    | 24. Quad-On Sim             | 34. Scan Fast Double        |
| 5. Alt 600 1,2-4,5    | 15. Double Sim              | 25. Fast-Slow Alt 1,2-4,5   | 35. Scan-Mega               |
| 6. Alt 600 1,3,5-2,4  | 16. Quad Alt 1,2-4,5        | 26. Fast-Slow Alt 1,3,5-2,4 | 36. Random All 35 (Default) |
| 7. Alt 1200 1,2-4,5   | 17. Quad Alt 1,3,5-2,4      | 27. Fast-Slow Sim           | 37. Random Alt 20           |
| 8. Alt 1200 1,3,5-2,4 | 18. Quad Sim                | 28. Mega-On Alt 1,2-4,5     | 38. Random Sim 10           |
| 9. Sim 120            | 19. Double-On Alt 1,2-4,5   | 29. Mega-On Alt 1,3,5-2,4   | 39. Random Seq 5            |
| 10. Sim 240           | 20. Double-On Alt 1,3,5-2,4 | 30. Mega-On Sim             |                             |

**INSTALLATION INSTRUCTIONS**

Use the L - brackets (included) to mount the 12.6105 light. To install mounting bolts to the warning stick, remove the 4 screws from the end cap and install the mounting bolts into the desired t-slot as shown in drawing. Re-install the end cap.



**PRODUCTS COMPANY • 804 East Hwy. 248 • Cassville, MO 65625**  
**U.S. and Canada Toll Free Numbers • Phone: 800-641-4098 FAX: 800-526-1240**  
**E-mail: sales@able2products.com WEB: www.able2products.com**

## LIMITED WARRANTY

Able 2 Products Company warrants each new product (except bulbs, strobe tubes, strobe power supplies and LED products) to be free from defects in material and workmanship for a period of two years from the date of purchase. During this warranty period, the obligation of Able 2 is limited to repairing or replacing, as Able 2 may elect, any part or parts, which after examination by Able 2 are determined to be defective, when they are delivered pre-paid. This limited warranty does not cover travel expense, the cost of specialized equipment for gaining access to the product, or labor charges for the removal and re-installation of the product.

Able 2 Products Company shall not be liable for incidental or consequential damages, including but not limited to: Loss of use of vehicle, Rental of substitute vehicle, Loss of time, Loss of work, Inconvenience, Transportation expenses, Telephone, Lodging, Loss of revenue, Loss of and/or damage to personal property for or arising out of breach of any express or implied warranty of its products.

Use of lamp or other electrical load of a wattage higher than installed or recommended by the factory, or use of inappropriate or inadequate wiring or circuit protection causes this limited warranty to become void. Able 2 Products Company will in no way be liable for any loss of profits or any indirect or consequential damages arising out of any such defect in material and workmanship whether loss is due to negligence or breach of warranty. This limited warranty does not apply to shipping damage, accident, alteration, tampering, misuse or abuse and unauthorized service.

This limited warranty is expressly in lieu of all other express or implied warranties, including the implied warranty of merchantability and the implied warranty of fitness for a particular purpose, and of all other obligations or liabilities on the part of Able 2 Products Company. There are no warranties, unless expressed in authorized Able 2 literature, which extend beyond the description of the face hereof. No dealer, distributor, employee, or representative of the company is authorized to change this warranty in any way or to grant any other warranty.

### WARRANTIES:

All LED Products . . . . .	.5 Years
T Model & Potted Strobe Power Supplies . . . . .	.2 Years
All other Strobe Power Supplies . . . . .	.5 Years
All other products EXCEPT bulbs . . . . .	.2 Years (under normal use)
Strobe Tubes . . . . .	.1 Year (under normal use)

NOTE: Halogen and Incandescent Bulbs are not covered by warranty.

## PRODUCT RETURNS

If a product must be returned, contact our factory by calling 1-800-641-4098 to obtain a Return Authorization Number (RA) before you ship the product. Write the RA Number clearly on the package and return it to Able 2 Products Company, P.O. Box 543, 804 E. Hwy. 248, Cassville, MO 65625-0543. A packing slip should be included with all shipments listing the sender's name, address, daytime phone number and description of defect. Your product will be put in first-class operating condition or replaced with a new part, and returned pre-paid.