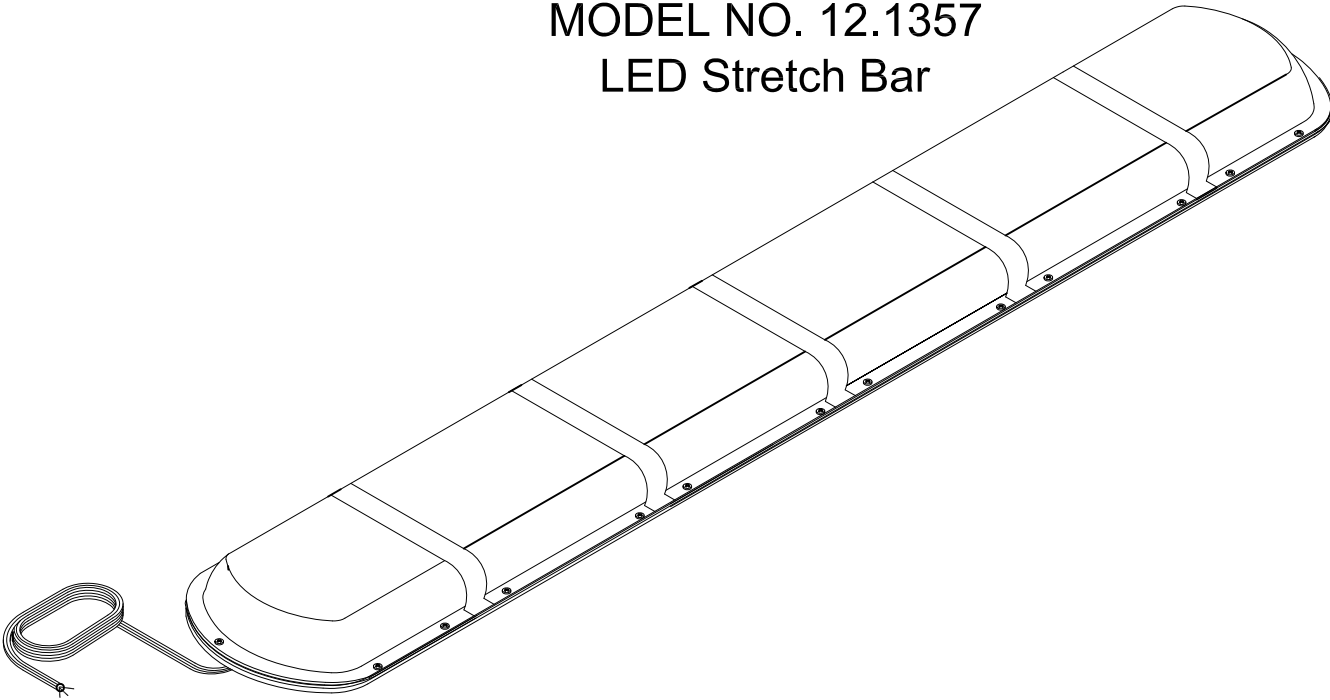




SHO-OFF®
MODEL NO. 12.1357
LED Stretch Bar



GENERAL INFORMATION:

The **SHO-ME®** LED Stretch Bar is equipped with a Solid State Flasher. The flasher has selectable flash patterns including random. Hold down the mode button for more than 5 seconds to set pattern to default (Random). Flash patterns vary with light bar configuration.

INSTALLATION INSTRUCTIONS:

Determine location to mount your LED Stretch Bar. Attach bolts to bottom of your **SHO-ME®** LED Stretch Bar. Keep in mind airbag deployment area and any other obstacles. Run wire inside of vehicle and connect to switch. A momentary switch is required to change flash patterns.

If mounting this product requires drilling holes, the installer **MUST** be sure that no vehicle components or other vital parts could be damaged by the drilling process. Check both sides of the mounting surface before drilling begins. Also de-burr any holes and remove any metal shards or remnants. Install grommets into all wire passage holes.

Use only soap and water to clean the outer lens. Use of other chemicals could result in premature lens cracking and discoloration. Lenses in this condition have significantly reduced effectiveness. Inspect and operate this product regularly to confirm its proper operation and mounting condition. **Do not use a pressure washer to clean this product.**



PRODUCTS COMPANY • 804 East Hwy. 248 • Cassville, MO 65625
U.S. and Canada Toll Free Numbers • Phone: 800-641-4098 FAX: 800-526-1240
E-mail: sales@able2products.com WEB: www.able2products.com