



## MODEL NO. 12.1300 Series

# SHO-OFF® LED Light

### General Information:

The LED Light is equipped with an internal flasher. It comes from the factory in a random flash mode.

### Wiring Instructions:

Note: Always connect ground wire first and +12v positive wire last.

### Flash Pattern Selection:

To change flash patterns, momentarily apply +12v to the "Mode-Sync" Wire for less than 5 seconds. To reset to factory default pattern, apply +12v to the "Mode-Sync" Wire for more than 5 seconds.

#### Flash Patterns

- |                             |                                   |                                  |
|-----------------------------|-----------------------------------|----------------------------------|
| 1. Single simultaneous      | 10. Random 1-8, all simultaneous  | 20. Steady - Single              |
| 2. Double simultaneous      | 11. Single alternate              | 21. Steady - Double              |
| 3. Quad simultaneous        | 12. Double alternate              | 22. Steady - Quad                |
| 4. Oct Simultaneous         | 13. Quad alternate                | 23. Steady - Oct                 |
| 5. Double - On simultaneous | 14. Oct alternate                 | 24. Steady - Double - On         |
| 6. Quad - On simultaneous   | 15. Double - On alternate         | 25. Steady - Quad - On           |
| 7. Triple simultaneous      | 16. Quad - On alternate           | 26. Steady - Triple              |
| 8. 12 Flash simultaneous    | 17. Triple alternate              | 27. Steady - 12 Flash            |
| 9. Steady simultaneous      | 18. 12 Flash alternate            | 28. Random 20-27, 1 side steady  |
|                             | 19. Random 11-18, all alternating | 29. Random All 1-8, 11-18, 20-27 |

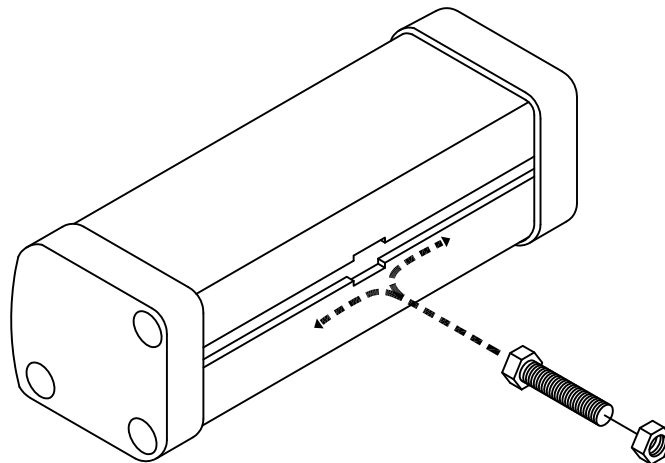
**Note:** To use patterns 20-29 apply +12v to the Mode-Sync wire for more than 30 seconds.

### Product Specifications:

Optimum Operation Voltage: +13.8 VDC

### Installation Instructions

Slide the hex bolts provided into the t-slot as shown in the diagram below . The light can be mounted using the bottom or rear t-slots . Always mount with the bottom t-slot down, This is to allow any moisture that enters the light housing to drain properly. Drill two holes in your desired mounting surface, and use the two hex nuts to mount the light to the mounting surface, Be careful not to over tighten the hex nuts.



**PRODUCTS COMPANY • 804 East Hwy. 248 • Cassville, MO 65625**  
**U.S. and Canada Toll Free Numbers • Phone: 800-641-4098 FAX: 800-526-1240**  
**E-mail: sales@able2products.com WEB: www.able2products.com**