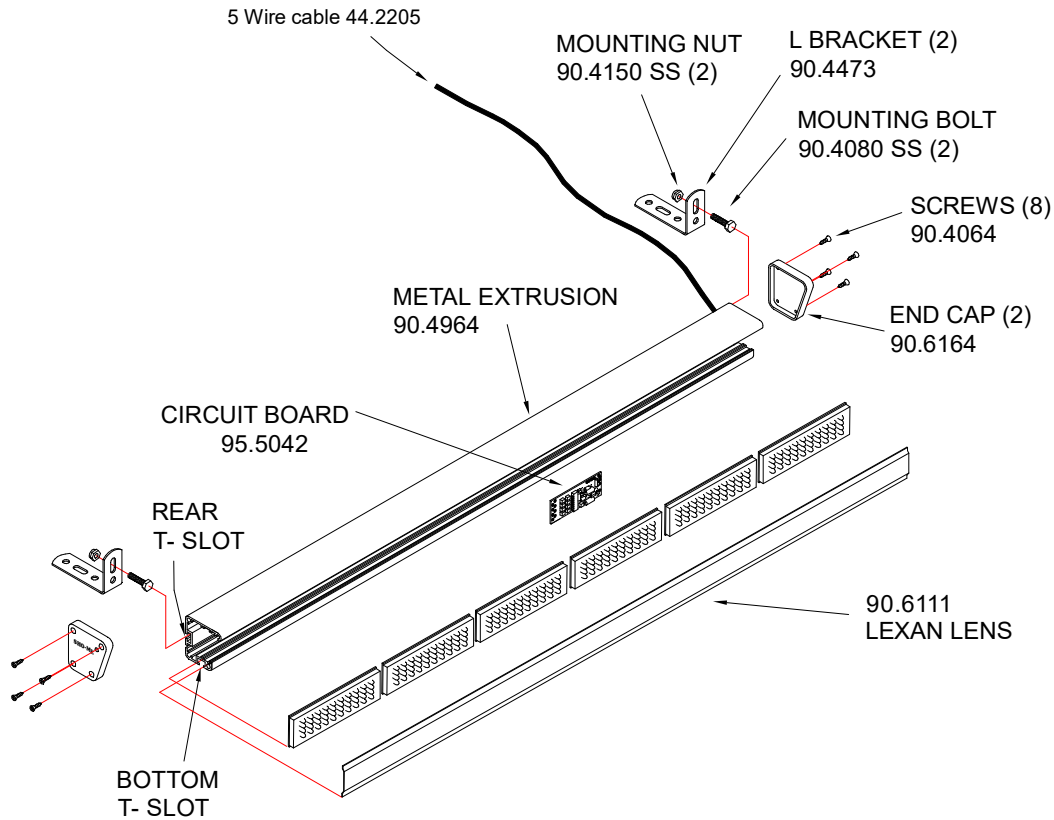




MODEL NO. 11.AR1031P  
SpaceSaver LED Signal Stick



### GENERAL INFORMATION

The LED Signal Stick alerts traffic in the direction they need to follow. The Signal Stick (Model No. 11.AR1031P) is self-contained and needs no external controller. Using either your OEM switches or switch box, connect wires as noted below. The LED Signal Stick has four flash patterns from which to choose: Left, Right, Center Out, and Random Flash.

- Black - Ground
- White - +12v Left Flash
- Red - +12v Right Flash
- Red & White - +12v Center Out
- Green - +12v Random Flash

### INSTALLATION INSTRUCTIONS

Use the L - brackets (included) to mount the light. Slide the hex bolts provided into the t-slot as shown in the Figure A below . The light can be mounted using the bottom or rear t-slots . Always mount with the bottom t-slot down, this is to allow any moisture that enters the light housing to drain properly.