



MODEL NO. 11.2000SF LED Interweave Dash Light

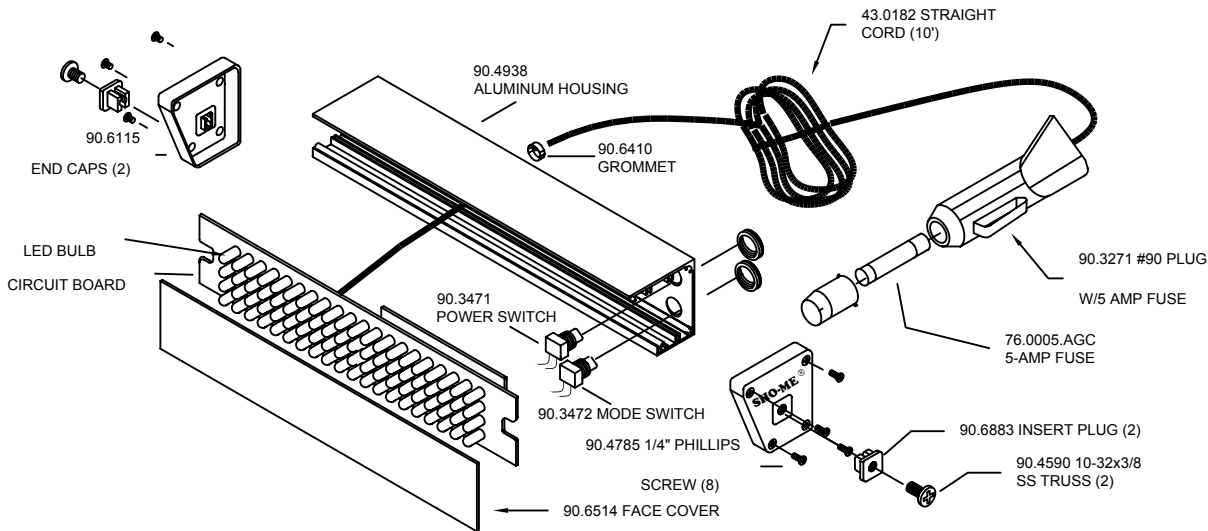
GENERAL INFORMATION

The LED Dash Light features two switches, Power - ON/OFF and Mode to select the flash pattern. When selecting a flash pattern hold mode button down until flashing stops, then release for next flash pattern. When the power is turned off then back on, the Light will resume the exact flash pattern as before power was interrupted. The LED Dash Light has five flash patterns to choose from:

- | | |
|----------------------------|---------------------|
| 1. Automatic Random Select | 4. Quad Alternating |
| 2. Single Alternating | 5. Mega Flash |
| 3. Double Alternating | |

INSTALLATION INSTRUCTIONS:

For your convenience, there are four types of mounting brackets that are available. Mount inside the windshield area or rear deck area; mount the LED Dash Light, then connect to lighter or accessory outlet.



MOUNTING BRACKETS AVAILABLE

<p>DASH BRACKET w/suction cups Model No. 11.2010</p> <p>90.6091 Suction Cups 1.75" Diameter</p> <p>Nylon Edging</p> <p>90.4471 Adjustable .032 Aluminum Bracket</p>	<p>L BRACKETS (2) Model No. 11.4472</p> <p>90.4410 Screw (2)</p>	<p>HEADLINER BRACKET Model No. 11.2025</p>	<p>WINDSHIELD BRACKETS (2) w/windshield adhesive Model No. 11.4474</p>
---	--	--	--



PRODUCTS COMPANY 804 East Hwy 248 Cassville, MO 65625
 U.S. and Canada Toll Free Numbers Phone: 800-641-4098 FAX: 800-526-1240
 E-mail: sales@able2products.com WEB: www.able2products.com