

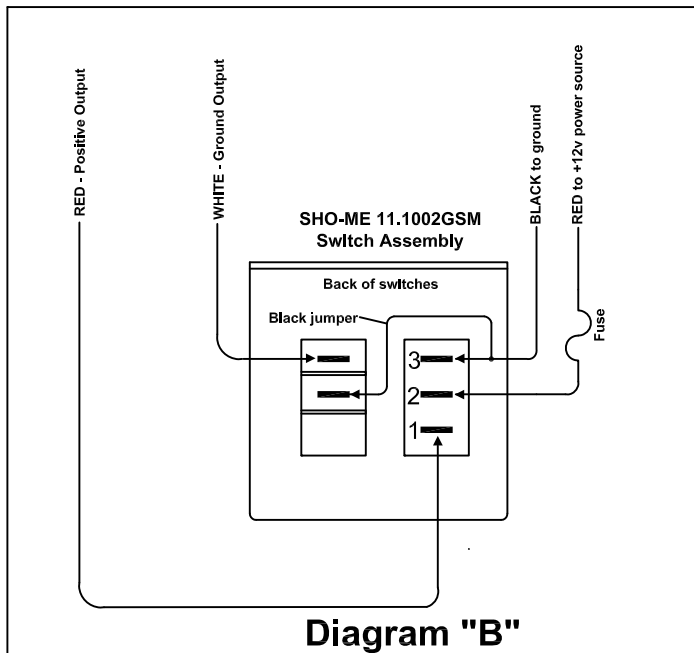
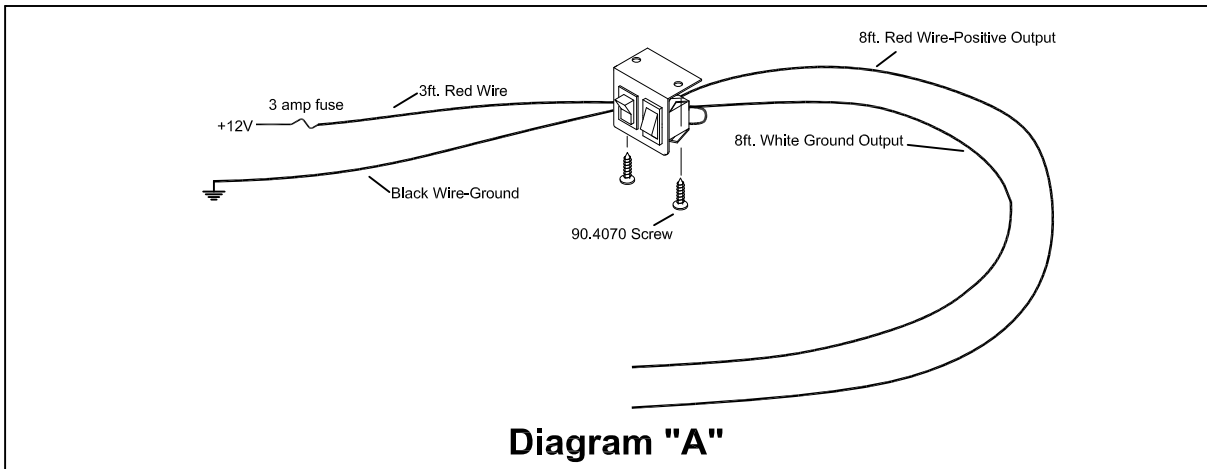


MODEL NO. 11.1002GSM
Switch Assembly

INSTALLATION INSTRUCTIONS:

1. Find location where the Switch Assembly will be mounted and mark holes to be drilled. Mount the Switch Assembly with screws included.
2. Wire to LED flasher as shown in the Diagram "A" below.

NOTE: Diagram "B" shows location of wires on back of switch.



PRODUCTS COMPANY • 804 East Hwy. 248 • Cassville, MO 65625
U.S. and Canada Toll Free Numbers • Phone: 800-641-4098 FAX: 800-526-1240
E-mail: sales@able2products.com WEB: www.able2products.com