



MODEL NO. 09.3550.LED
Rechargeable LED Flashlight
with A/C charger

Use and care instructions:

WARNING: DO NOT SHINE LED LIGHT DIRECTLY IN EYES.

Your new 09.3550.LED flashlight is water resistant and has many features that make it very useful in just about any activity. It is great for camping, hiking, or any activity where you need a compact, intense light. You can simply slip it in your pocket, utilizing the pocket clip, or use the wrist strap.

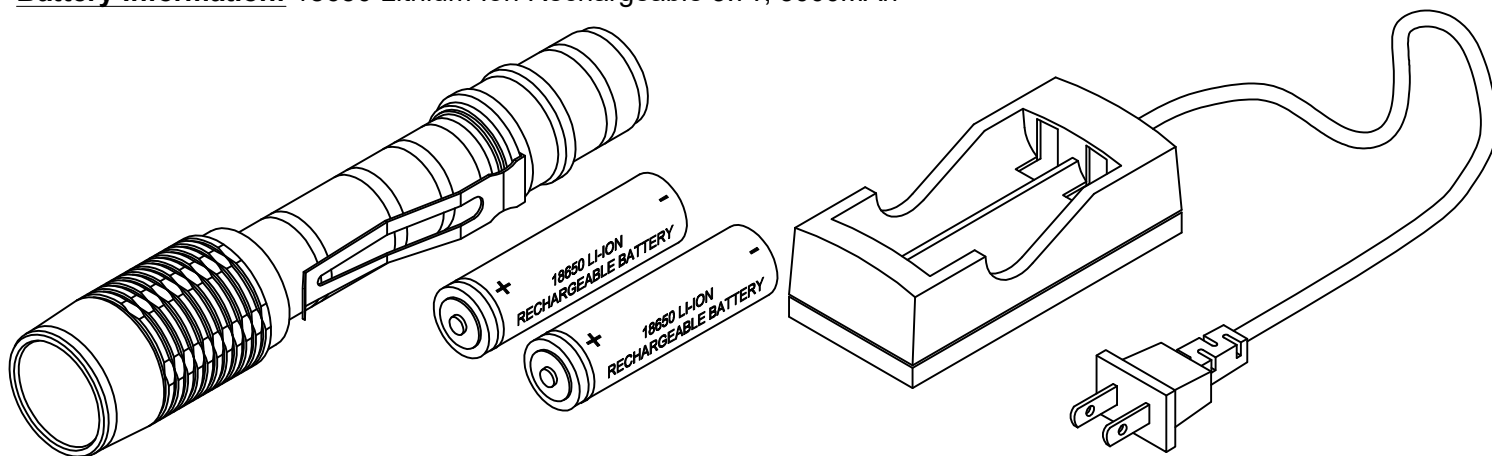
The 09.3550.LED uses a Super Bright CREE LED bulb to provide 5 different operating modes. In those modes, you can slide the light head forward and back to adjust the light beam from a wide angle flood beam for working up close, to an intense spot beam for searching for those far away objects, or anywhere in between.

Available modes are: Super Bright, Medium Bright, Soft Bright, Strobe and S.O.S.

The soft touch end cap ON/OFF switch makes it easy to turn on/off and select the mode desired. Press the soft touch end cap to turn the light on and off. Each time you partially press the end cap switch, it will go to the next mode.

Charging Information: Run time is approximately 1+ hours on Super Bright mode, 3+ on Medium Bright and 7+ on Soft Bright. To recharge the 3.7 volt Lithium Ion Batteries, unscrew the rear end cap and remove the batteries. Insert them into the AC charger. The charger has an LED indicator to show when the batteries are charged. **NOTE: The charger is polarity sensitive. Be sure to insert the batteries to match the charger. Installing the batteries incorrectly will cause overheating of the battery and failure of the battery and/or the charger.** ONLY 18650 Lithium Ion batteries should be recharged on this charger.

Battery Information: 18650 Lithium Ion Rechargeable 3.7v, 3000MAh



(1) Rechargeable LED Flashlight
Model No. 09.3550.LED

(2) 18650 LI-ION Rechargeable Battery
Model No. 09.3542

(1) A/C Charger
Model No. 09.SM-202A



PRODUCTS COMPANY • 804 East Hwy. 248 • Cassville, MO 65625
U.S. and Canada Toll Free Numbers • Phone: 800-641-4098 FAX: 800-526-1240
E-mail: sales@able2products.com WEB: www.able2products.com