

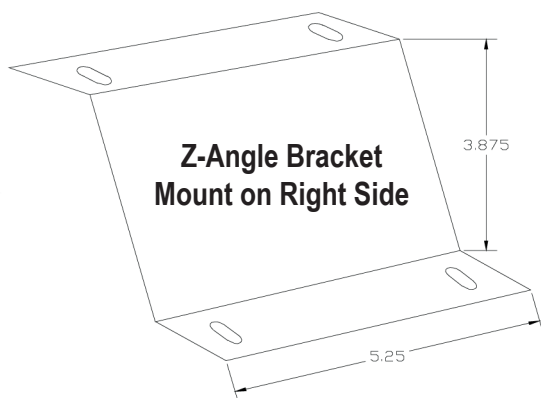


**Model 07.3001
Bench Seat Mounting Bracket
for 07.0200, 07.0300 and 07.0400 Equipment Racks**

Designed for Crown Victoria models, the Bench Seat Mounting Bracket enables the installation of **SHO-ME**® Equipment Racks on the center floor hump of the vehicle without siren and radio equipment obstructing driver's seat movement.

Instructions

1. Bolt the angle bracket to the left side of the Equipment Rack.
2. Bolt the Z-angle bracket leg to the right side of the Equipment Rack.
3. If the equipment is mounted in the Equipment Rack, you are now ready to mount the rack to the floor.
4. Adjust the driver's seat completely forward.
5. Set the rack on the center hump and position it so that it will not obstruct movement of the seat.
6. Move the seat back so that the rack can be bolted to the hump.
7. Bolt two screws through the left-side angle bracket to the center hump.
8. Bolt two screws through the right-side Z-angle bracket leg to the floor.



PARTS LIST

1. Z-Angle Bracket
2. Angle Bracket
3. (4) 1/4" x 1/2" Bolts
4. (4) 1/4" Keps Nuts



PRODUCTS COMPANY • 804 East Hwy. 248 • Cassville, MO 65625
U.S. and Canada Toll Free Numbers • Phone: 800-641-4098 FAX: 800-526-1240
E-mail: sales@able2products.com WEB: www.able2products.com