



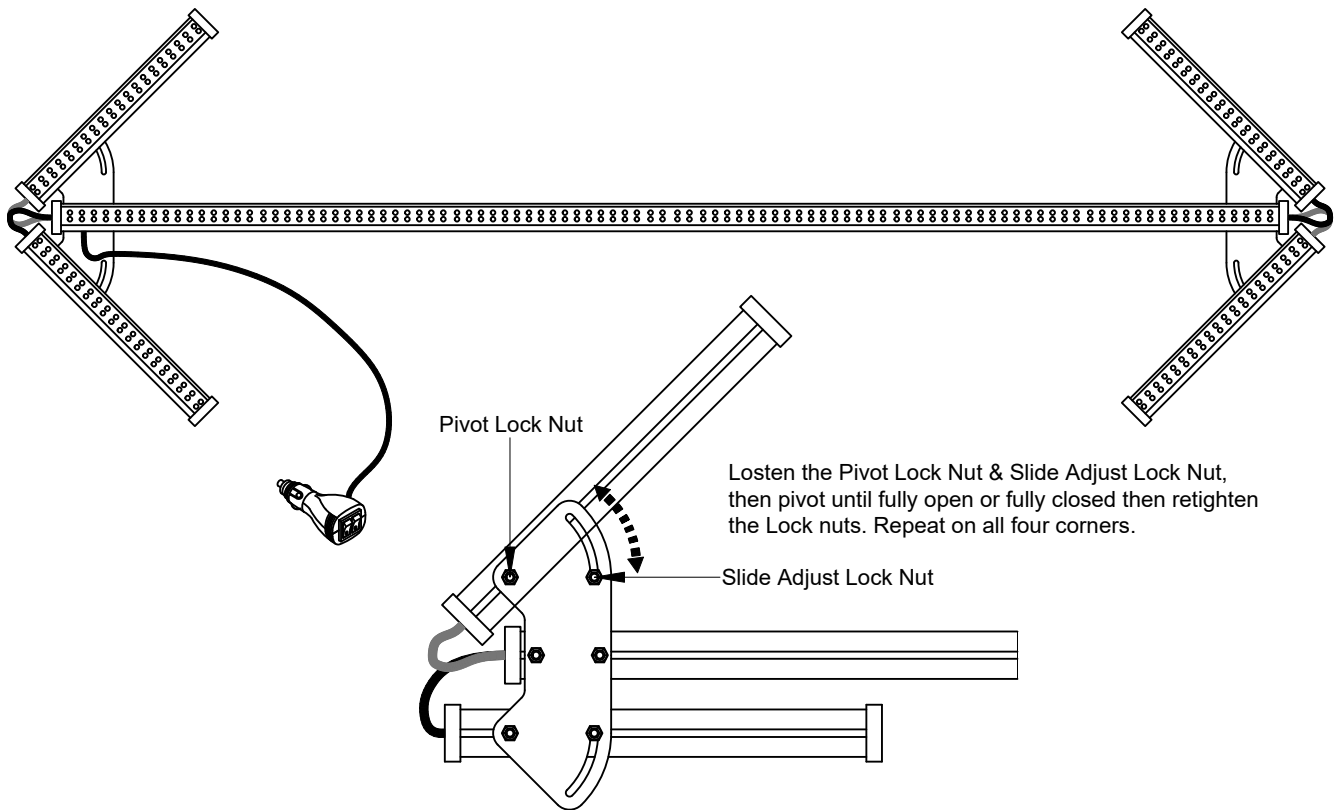
MODEL NO. 01.3615.A00 LED Folding Directional Arrow

General Information:

The LED Folding Directional Arrow alerts traffic in the direction they need to follow. The Arrow comes with accessory power adaptor plug. The power adaptor plug has a lighted on/off power switch and a momentary switch to change the pattern. To change the pattern, momentarily press the switch, each time the switch is pressed it will advance to the next pattern. The LED Arrow has four flash patterns from which to choose: Left Arrow - Right Arrow - Center-Out - Wig-wag.

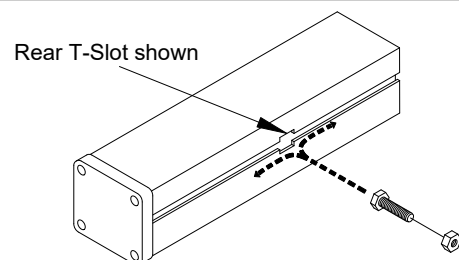
Product Specifications:

Optimum Operation Voltage: +13.8 VDC
Operating Current: 2 amp max
Recommended Fuse: 5 amp



Installation Instructions

Slide the hex bolts provided into the t-slot as shown in the diagram. The light can be mounted using the bottom or rear t-slots. Always mount with the bottom t-slot down, This is to allow any moisture that enters the light housing to drain properly.



PRODUCTS COMPANY • 804 East Hwy. 248 • Cassville, MO 65625
U.S. and Canada Toll Free Numbers • Phone: 800-641-4098 FAX: 800-526-1240
E-mail: sales@able2products.com WEB: www.able2products.com