



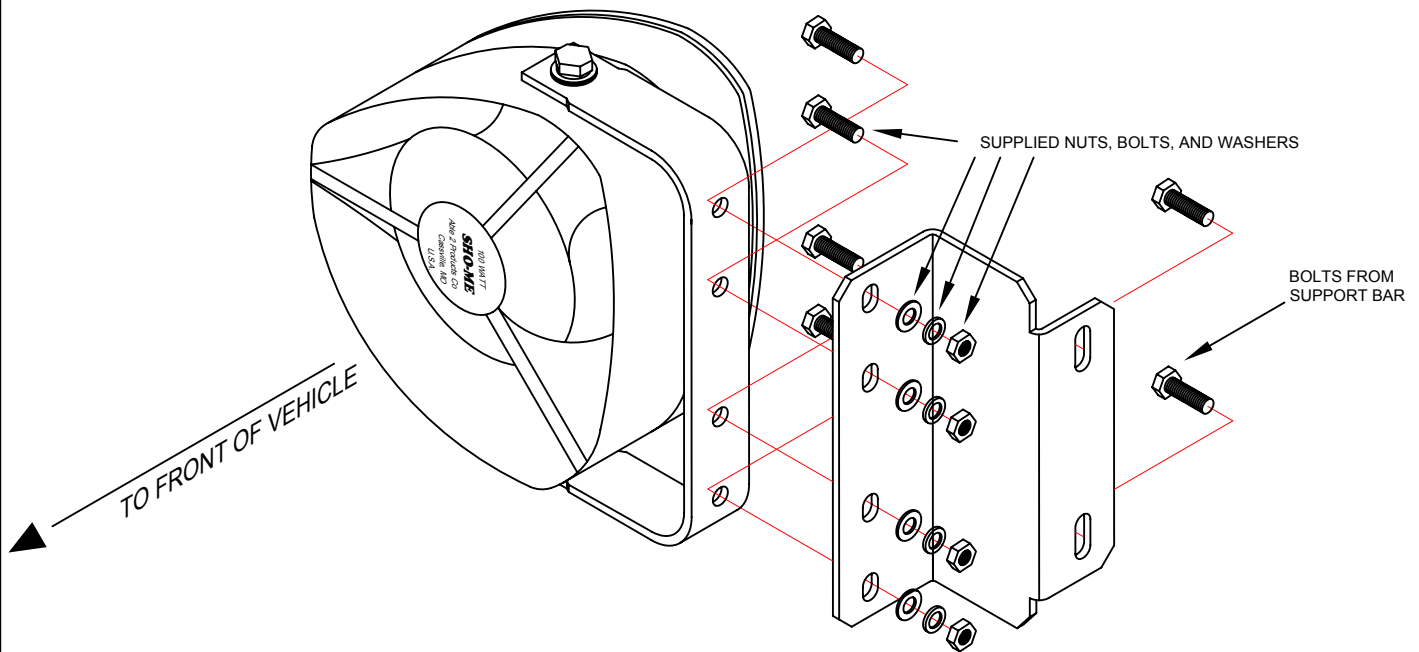
**Model No. 30.7305
Speaker Bracket**

INSTALLATION INSTRUCTIONS FOR 1998-2009 FORD CROWN VICTORIA

The 30.7305 Speaker Mounting Bracket allows for the Slim Speaker to be mounted behind the grill of a 1998-2009 Ford Crown Victoria without the need of drilling. This Bracket will allow the speaker to mount in a horizontal position for the maximum acoustic performance of the siren.

INSTRUCTIONS:

1. Open hood of vehicle.
2. Remove plastic cover above radiator to reveal front of radiator.
3. Observe open area in front of radiator. Notice support bracket that attaches grill header panel to radiator support bar (near driver's side headlight).
4. Carefully remove two (2) bolts from support bracket.
5. Attach speaker to the **30.7305** Bracket using accompanying four (4) bolts and eight (8) washers as shown in the picture below.
6. Carefully position **30.7305** Bracket into open area and attach to the side of support bracket using the same bolts removed. (**CAUTION:** Be careful not to damage radiator when positioning the speaker & bracket.)
7. Adjust speaker for a proper fit, and tighten bolts securely.
8. Replace plastic radiator cover and close hood.



PRODUCTS COMPANY 804 East Hwy 248 Cassville, MO 65625
U.S. and Canada Toll Free Numbers Phone: 800-641-4098 FAX: 800-526-1240
E-mail: sales@able2products.com WEB: www.able2products.com