



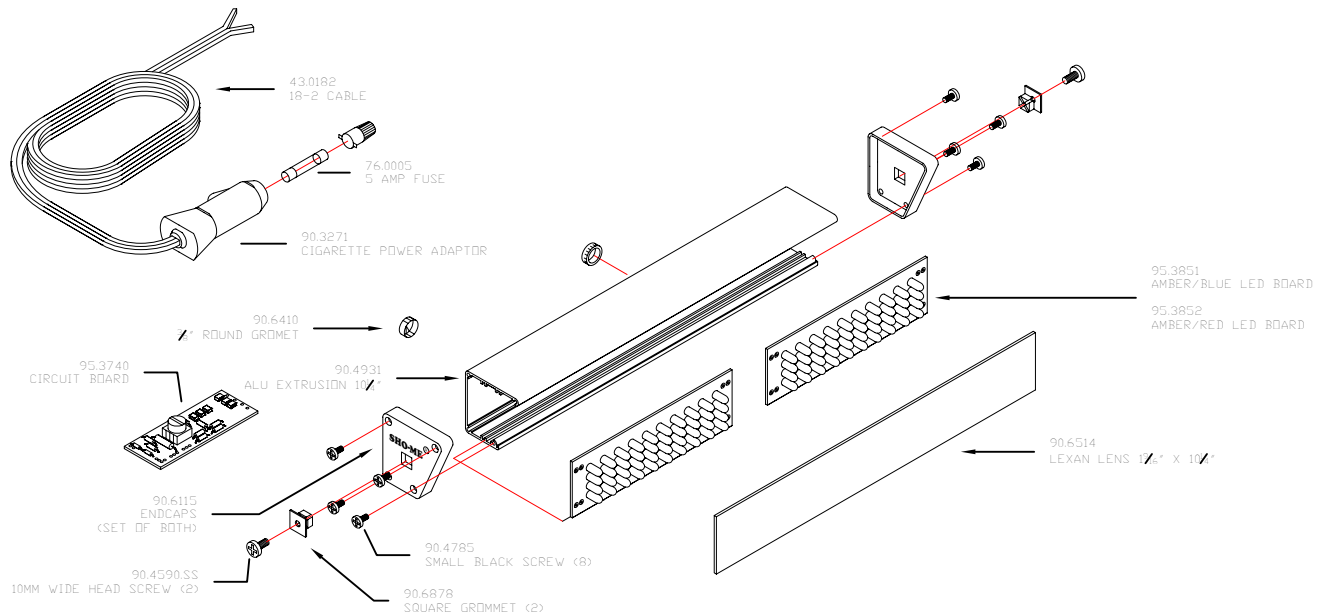
MODEL NO. 11.2710.CH ROT
LED Double Light Stick
Chameleon with Rotary
Pattern Selector

GENERAL INFORMATION

The LED Light Bar features a **Rotary Switch** to select the flash pattern. When selecting a flash pattern turn the rotary switch to the desired function. The LED Light has 15 flash patterns to choose from.

INSTALLATION INSTRUCTIONS

Choose a location to mount your LED Light Stick, keeping in mind the airbag deployment area and any other obstacles. Mount the LED Light Stick and connect to lighter or accessory outlet.



MOUNTING BRACKETS AVAILABLE

<p>DASH BRACKET w/suction cups Model No. 11.2010</p> <p>90.6091 Suction Cups 1.75" Diameter</p> <p>Nylon Edging</p> <p>90.4471 Adjustable .032 Aluminum Bracket</p>	<p>L BRACKETS (2) Model No. 11.4472</p> <p>90.4410 Screw (2)</p>	<p>HEADLINER BRACKET Model No. 11.2025</p>	<p>WINDSHIELD BRACKETS (2) w/windshield adhesive Model No. 11.4474</p>
---	--	--	--



PRODUCTS COMPANY 804 East Hwy 248 Cassville, MO 65625
U.S. and Canada Toll Free Numbers Phone: 800-641-4098 FAX: 800-526-1240
E-mail: sales@able2products.com WEB: www.able2products.com