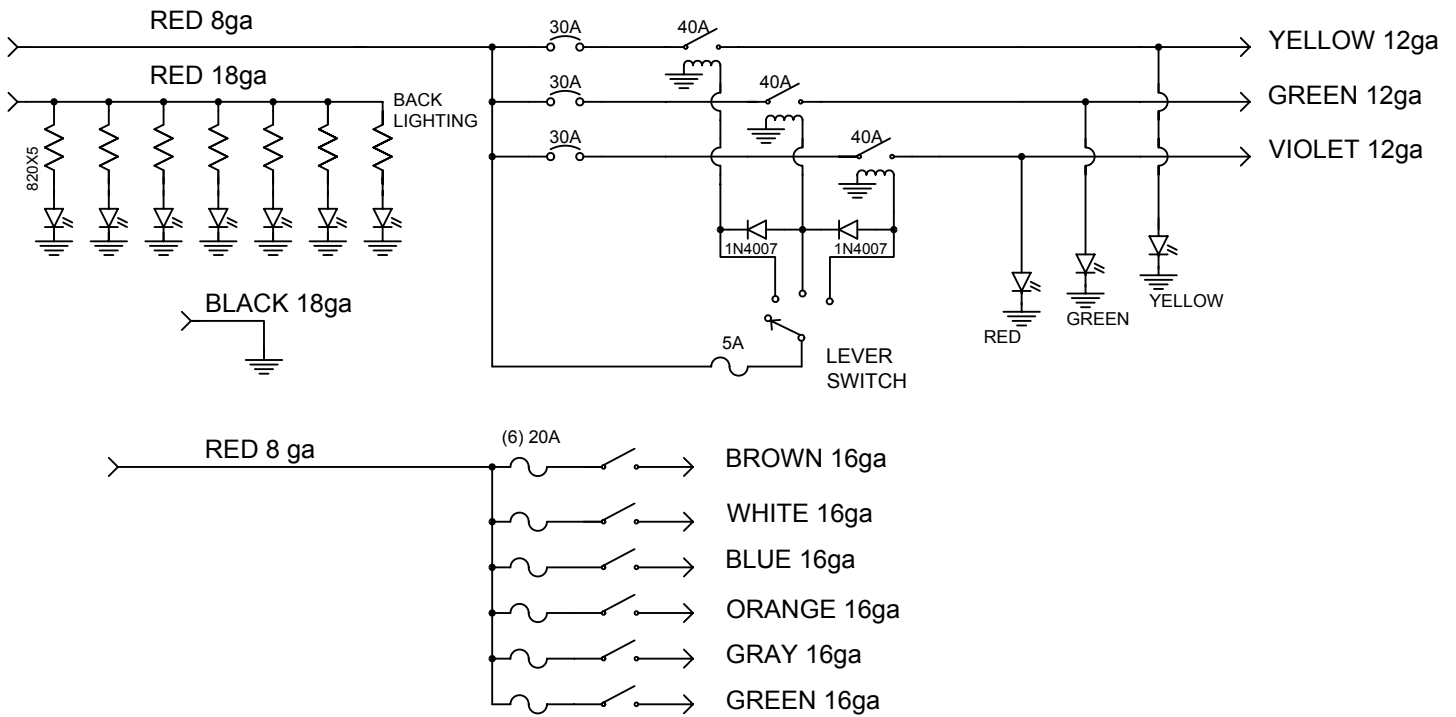




MODEL NO. 05.5560 WIRING DIAGRAM



PRODUCTS COMPANY • 804 East Hwy. 248 • Cassville, MO 65625
U.S. and Canada Toll Free Numbers • Phone: 800-641-4088 FAX: 800-526-1240
E-mail: sales@able2products.com WEB: www.able2products.com