



03.W500 Universal Headlight Adapter INSTRUCTIONS

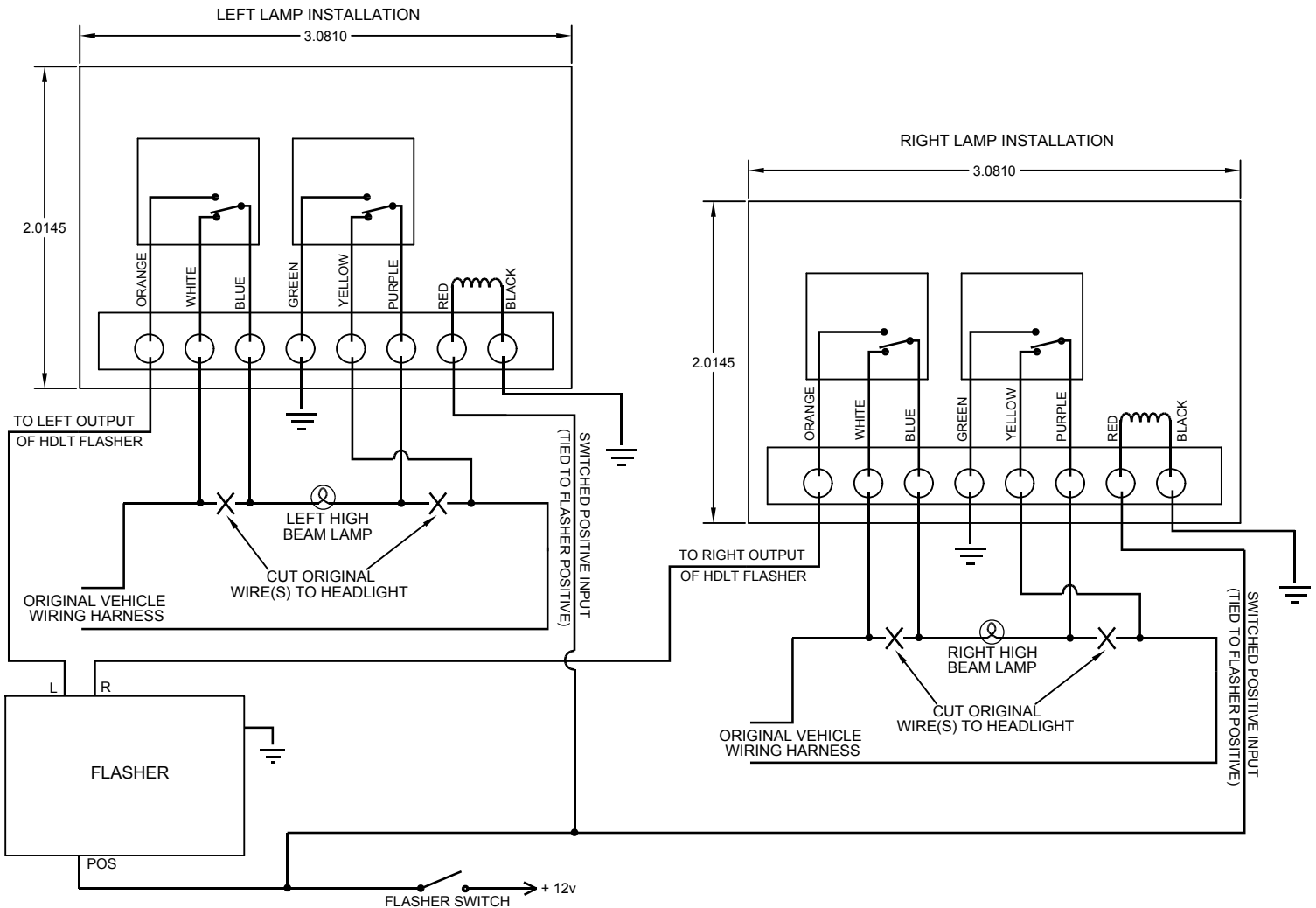
Attention Installers: This flasher must be installed by a qualified technician.

It is the final responsibility of the installer of headlight flashers to determine their compatibility with the vehicle make and model in which they will be installed. Incorrect wiring of headlight flashers could result in costly problems or even permanent damage to the vehicle's computer module.

NOTE: Do not install any **SHO-ME**® headlight flashers on 2000 model year or newer Dodge Durangos or Dodge Dakotas. Our flashers are **not** compatible with these vehicles and may lead to the failure of their computer systems.

CAUTION!

This flasher **MUST** be wired through a circuit controlled by the ignition switch
DO NOT wire directly to the battery.



PRODUCTS COMPANY 804 East Hwy 248 Cassville, MO 65625
U.S. and Canada Toll Free Numbers Phone: 800-641-4098 FAX: 800-526-1240
E-mail: sales@able2products.com WEB: www.able2products.com