



03.W3200 60 Amp
Random Flash Multi-Light Flasher
INSTRUCTIONS

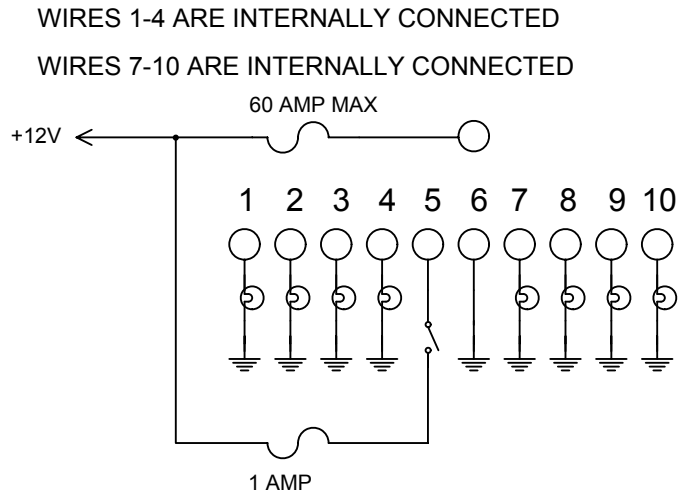
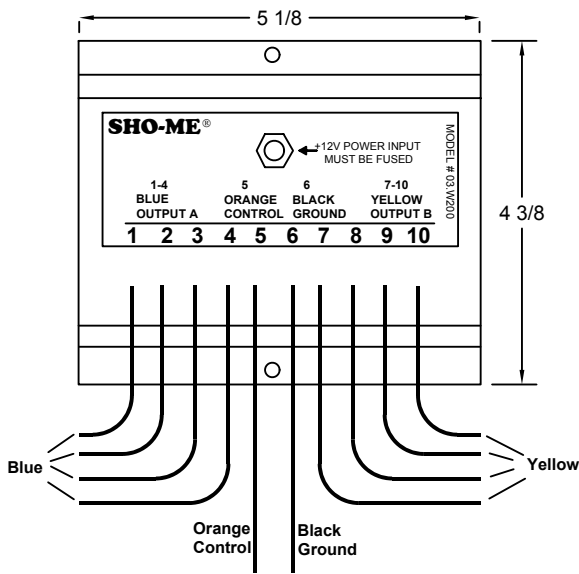
Attention Installers: This flasher must be installed by a qualified technician.

It is the final responsibility of the installer of headlight flashers to determine their compatibility with the vehicle make and model in which they will be installed. Incorrect wiring of headlight flashers could result in costly problems or even permanent damage to the vehicle's computer module.

NOTE: Do not install any **SHO-ME**® headlight flashers on 2000 model year or newer Dodge Durangos or Dodge Dakotas. Our flashers are **not** compatible with these vehicles and may lead to the failure of their computer systems.

CAUTION!

This flasher **MUST** be wired through a circuit controlled by the ignition switch
DO NOT wire directly to the battery.



1. Mount flasher in desired location.*
2. Connect Ground wire (6) to ground.
3. Connect Load A to wires 1-4.
4. Connect Load B to wires 7-10.
5. Connect high current positive source through a fuse or breaker (60 amp maximum) to the 1/4" bolt on the flasher.
6. Connect +12 volts through a switch and fuse (1 amp) to wire 5.

**INSTALLER PLEASE NOTE:
WIRES MUST NOT TOUCH
HEAT SINKS.**

*When selecting a location to mount the flasher, keep in mind that the life of an electronic device is directly dependent on the temperature in which it is operated - the cooler the unit, the longer the life. Select a mounting location that is away from sources of extreme heat.

CUSTOM FLASH PATTERNS AND RATES AVAILABLE (Contact Factory)



PRODUCTS COMPANY 804 East Hwy 248 Cassville, MO 65625
U.S. and Canada Toll Free Numbers Phone: 800-641-4098 FAX: 800-526-1240
E-mail: sales@able2products.com WEB: www.able2products.com